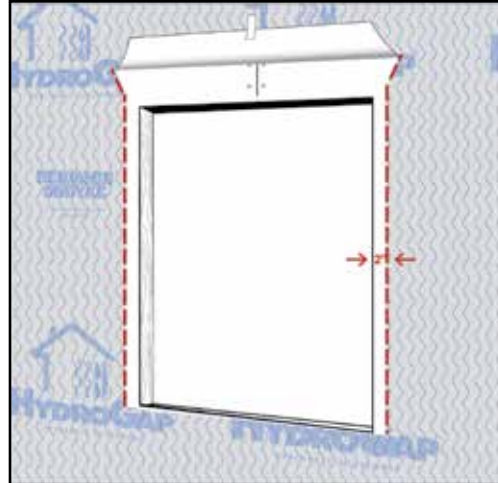
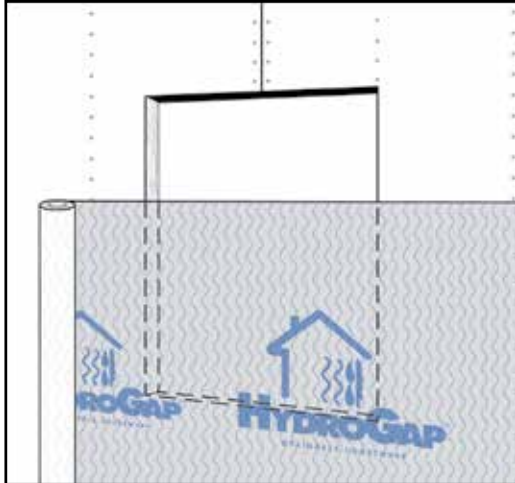
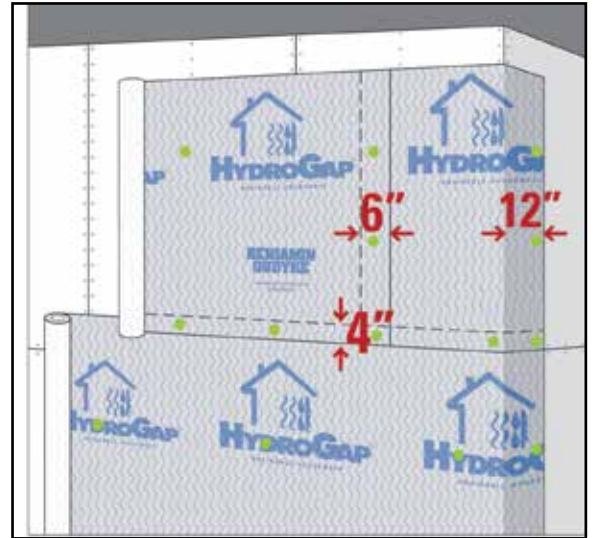


Basic Installation & Window Flashing: METHOD I - Modified "O" or "Cut-Back" Method

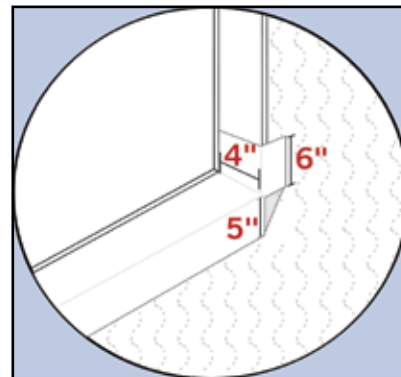
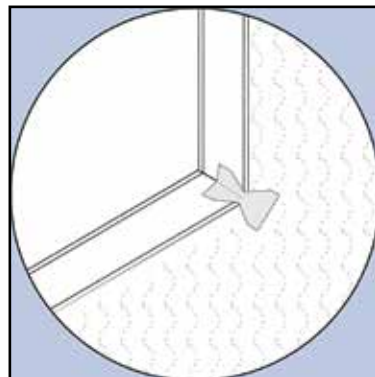
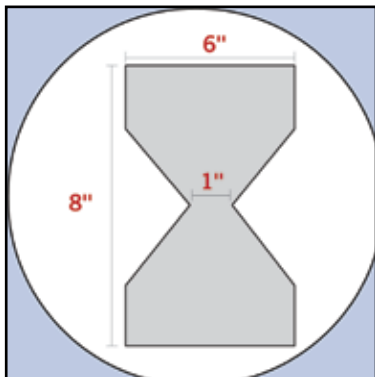
TO ACHIEVE MAXIMUM PERFORMANCE AND TO PREVENT MOISTURE RELATED CALL BACKS PLEASE REFERENCE THE FOLLOWING INSTALLATION POINTS. APPLY FIRM AND EVEN PRESSURE WITH A HARD SQUEEGEE OR J-ROLLER TO HYDROFLASH AND ALL WINDOW AND DOOR PEEL AND STICK FLASHINGS.

1. Install HydroGap with cap staples like the Stinger brand.
2. Cap staple all overlaps every 18 inches and 1 cap staple every 3 square feet.
3. Start at the bottom and work your way up overlapping the next row minimum 4 inches or down to the dotted line on the top of the roll. Overlap vertical seams 6 inches and 12 inches around inside and outside corners. **Seam tape optional.**
4. Preferred window and door flashing: **Cut Back Method**



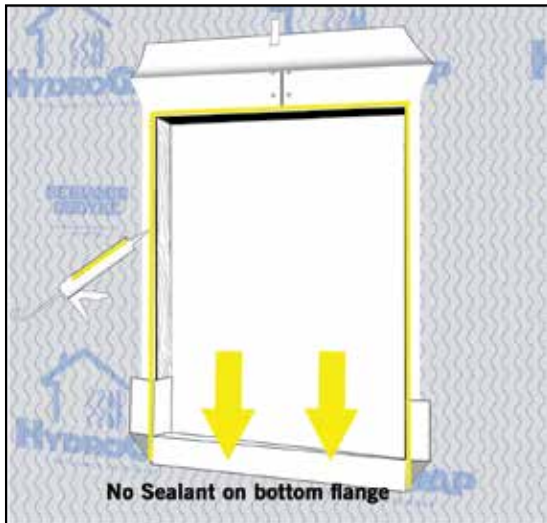
Install over rough opening. Cut back HydroGap 2 inches on both vertical legs and bottom sill to show plywood. Cut the top corners up about 4 inches on a 45 degree angle. Fold up and temporarily fasten.

Bow Tie Detail

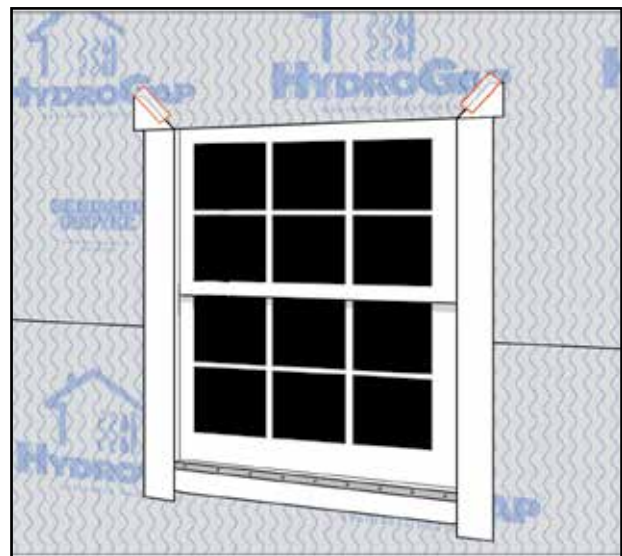
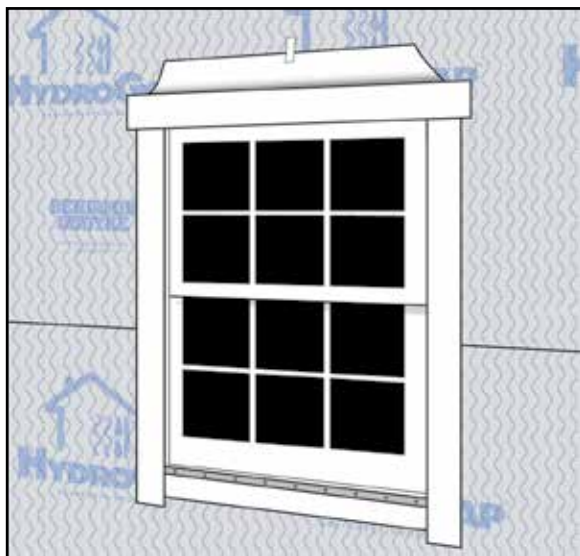
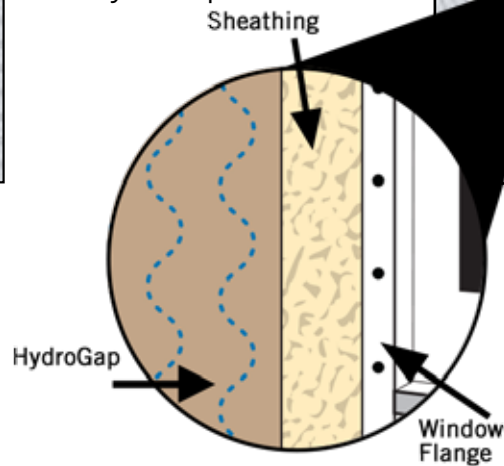
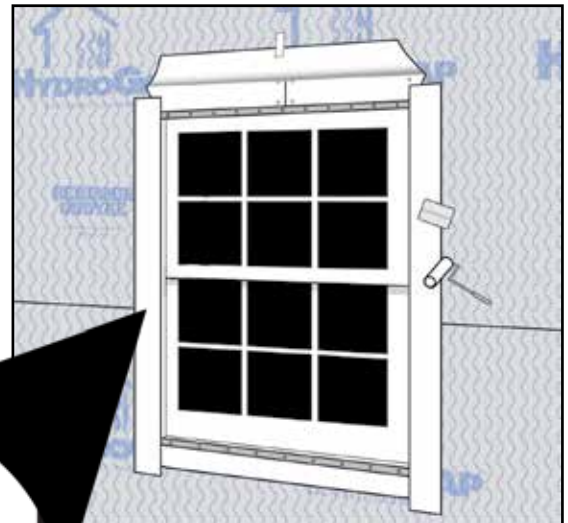


Install sill flashing using 9 inch HydroFlash and "Bow Tie Detail". Cut bow ties out of 6 inch HydroFlash and install (2) sill corners before sill flashing. **Apply firm and even pressure** to all sill flashing.

Installation Instructions: HydroGap Drainable Housewrap & Accessories



Install sealant/caulk to (2) vertical flanges and (1) top head flange. Install window then (2) vertical 6 inch HydroFlash with **firm and even pressure**. Sticking to window flange, sheathing, and HydroGap.



Install top head 6 inch HydroFlash with **firm and even pressure**. Sticking to top window flange and sheathing. Fold HydroGap over head flashing then use HydroFlash to seal the (2) 45 degree relief cuts.

5. Install HydroGap **tight** to inside corners.
6. Use ladder mits/padding on all ladders leaned against HydroGap to reduce tears.
7. Install dryer hoods and other penetrations with sealant and with top flange under HydroGap.