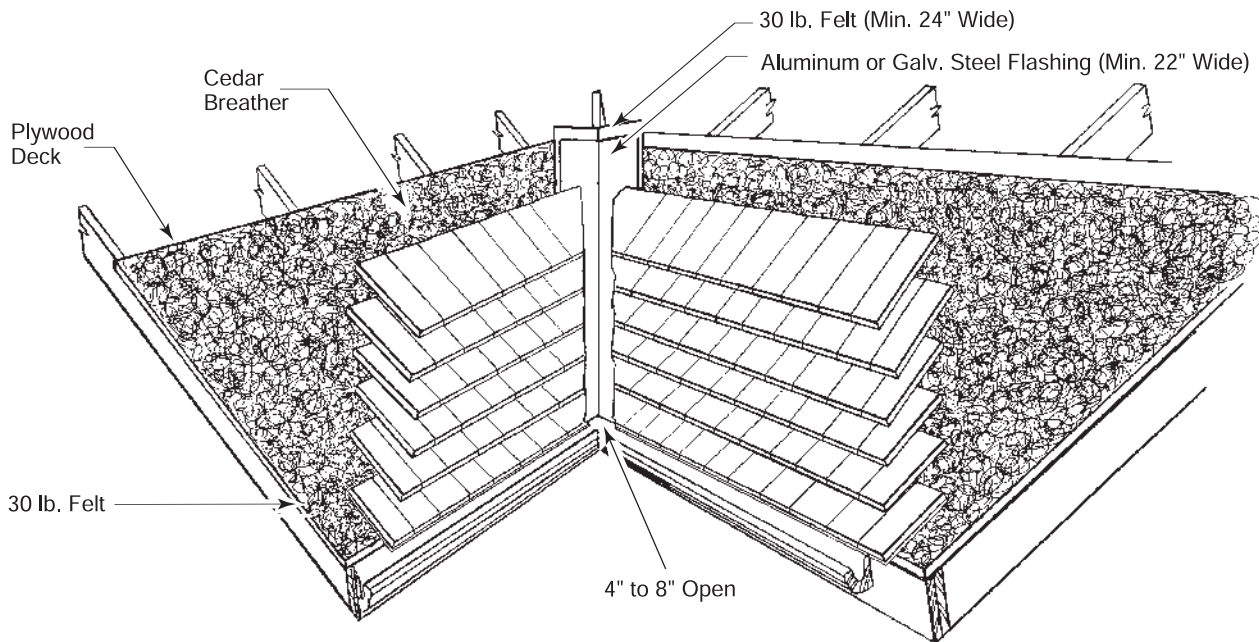


# VALLEY FLASHING DETAIL

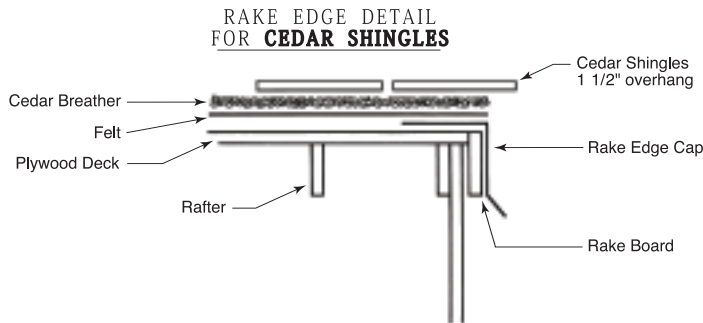
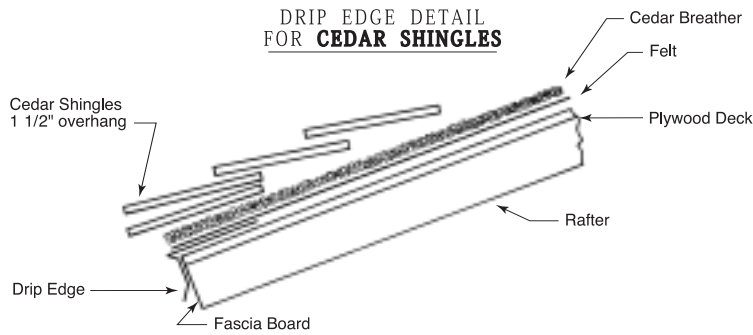


## **Note:** Shingle Installation Shown

When flashing a valley on a cedar roof utilizing Cedar Breather, the flashing should be applied so that it is in direct contact with the underside of the shingle or shake/interleaved felt and on top of the Cedar Breather and felt.

1. At valley, install a 24" wide strip of 30 lb. felt on top of Cedar Breather.
2. Install center-crimped metal valley flashing made of aluminum or galvanized steel, 22" wide (8" min. each side for shingles, 11" min. each side for shakes).
3. Install shingles or shakes leaving open valley width of 4" to 8" depending on anticipated water volume. Shingles/shakes should not be applied with grain parallel to valley centerline and those extending into the valley should be cut at the correct angle. Joints between shingles/shakes must not break into the valley.

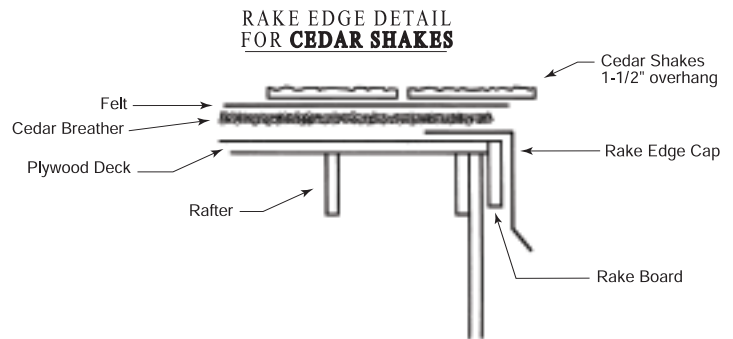
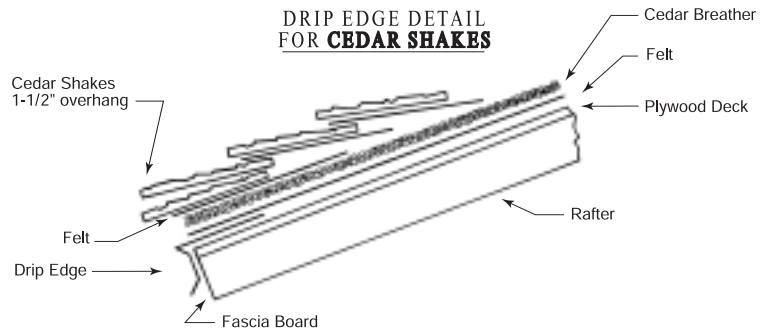
# RAKE/DRIP EDGE DETAIL FOR SHAKES/SHINGLES



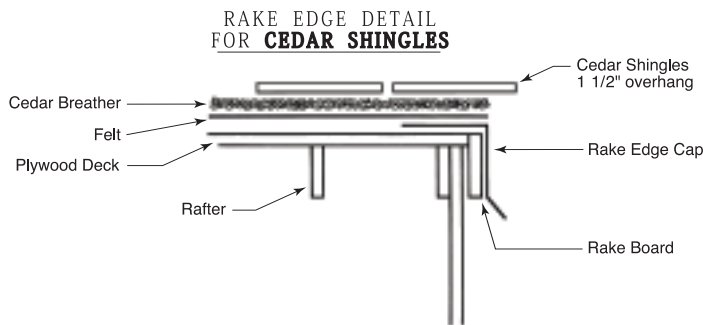
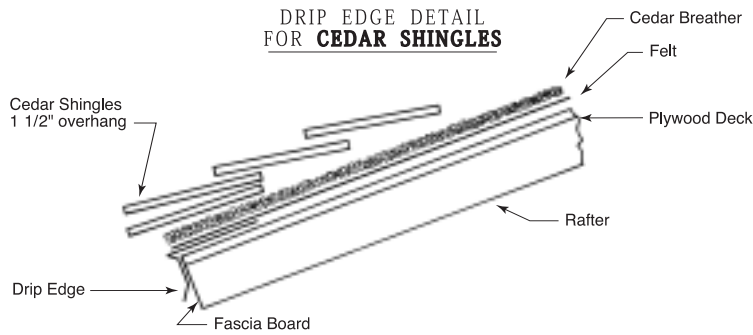
**\*Note:** If not installing drip edge, felt must overhang fascia board by a min. of 1/2".

When using a rake edge cap or drip edge, install edging pieces so that they are directly on top of the deck.

1. Install prepainted aluminum or galvanized rake edge cap or drip edge on top of the deck.
2. Install felt and Cedar Breather onto roof deck per instructions.
3. Install shake/shingles per manufacturer's instructions.



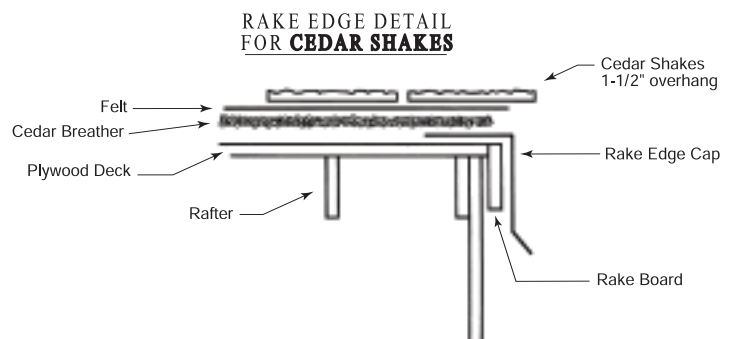
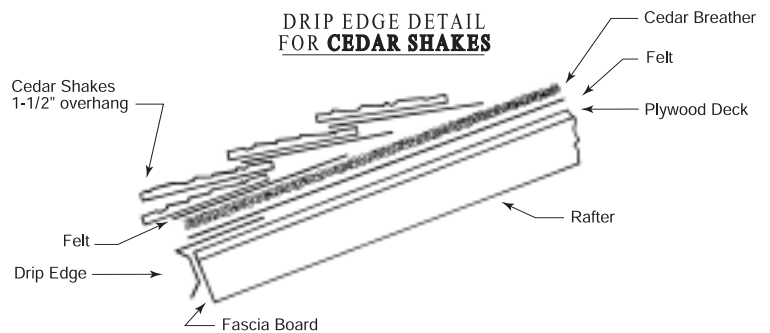
# RAKE/DRIP EDGE DETAIL FOR SHAKES/SHINGLES



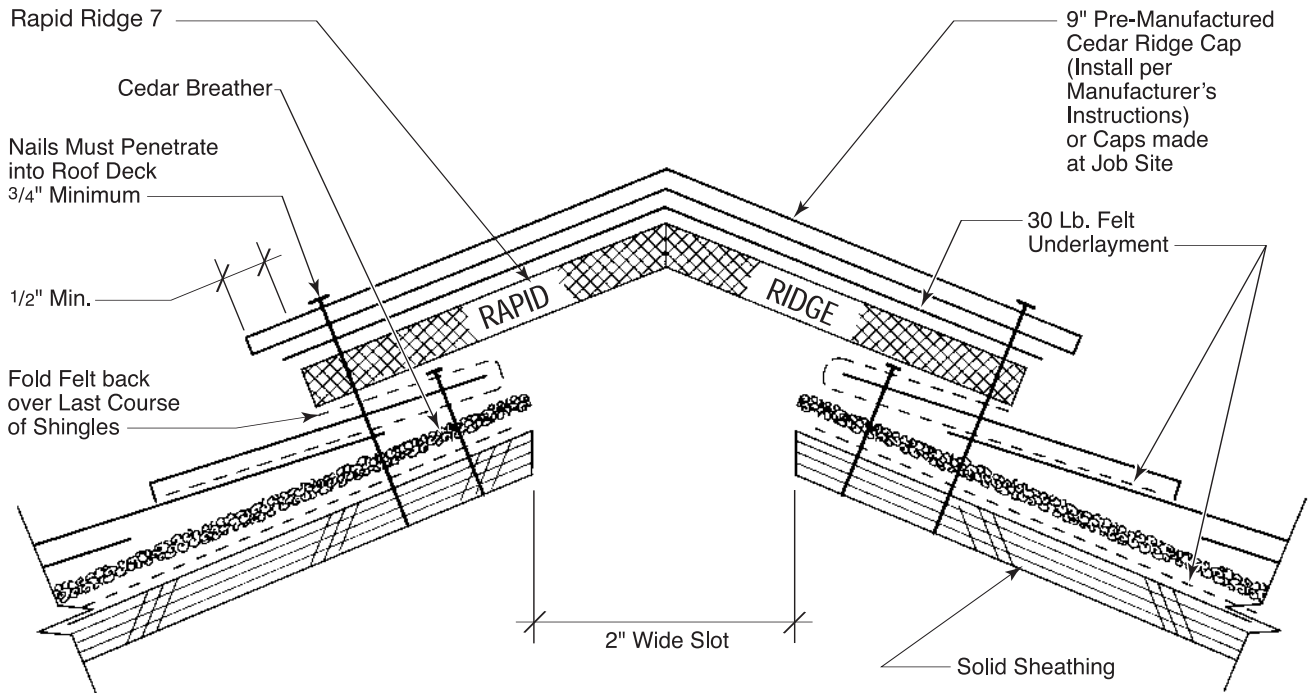
**\*Note:** If not installing drip edge, felt must overhang fascia board by a min. of 1/2".

When using a rake edge cap or drip edge, install edging pieces so that they are directly on top of the deck.

1. Install prepainted aluminum or galvanized rake edge cap or drip edge on top of the deck.
2. Install felt and Cedar Breather onto roof deck per instructions.
3. Install shake/shingles per manufacturer's instructions.



# CEDAR BREATHER INSTALLED WITH RAPID RIDGE 7



**Note:** Install with continuous soffit ventilation at each eave equivalent to 7 sq. in. per linear foot.

Cedar cap must overhang Rapid Ridge 7 by 1/2" minimum each side. Ridge cap must overhang Rapid Ridge 7 by 1" minimum at each gable end.

On cedar shingle application, apply 30 lb. felt onto roof followed by Cedar Breather and shingles.

On cedar shake installation, apply Cedar Breather directly onto plywood and felt per manufacturer's installation for shakes.