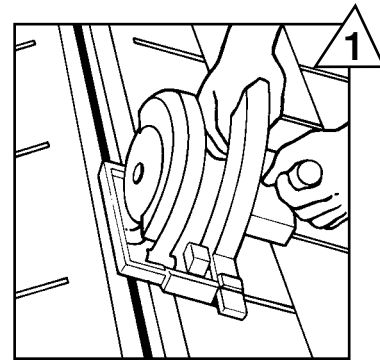


INSTALLATION FOR ROLL VENT STANDARD

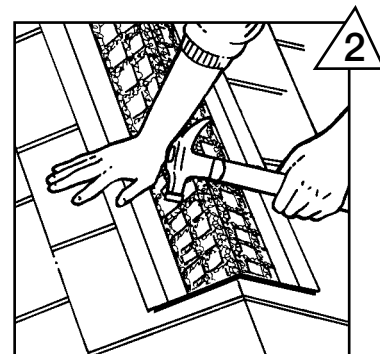
Step 1:

Snap chalk line and cut slot 3 1/2" wide (1 3/4" on each side of ridge beam). Allow for a closed area of sheathing 18" at both ends of the ridge.



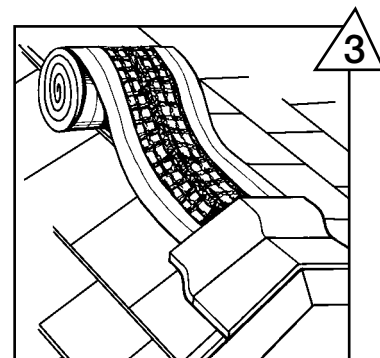
Step 2:

No end cap is necessary if ridge cap shingles are lapped over end of product and down onto ridge. In this case, run vent to 12" from the gable ends. Cap shingles can be laid down over end of vent onto ridge and out to gable ends. Optionally, Roll Vent can be installed right to gable ends using an integral end cap. To create end cap, loosen about 6" of matrix from fabric and cut out with snips. Fold bottom fabric in toward center of product so that it covers the end of vent. Start and end vent installation 1" from gable ends.



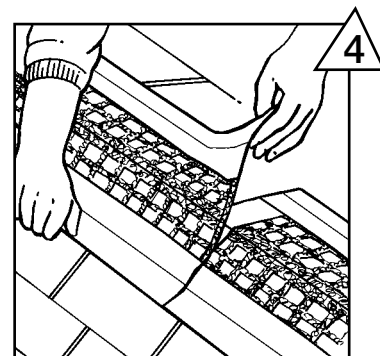
Step 3:

Center vent over slot at one end with nail lines "up" and fasten with two nails (note: minimum nail length is 2 1/2"). Roll out along entire ridge, pull out slack, and fasten with two nails at opposite end (creating end cap at other end if using that method). Center ridge cap shingles over vent and install with 2 1/2" nails provided. Use nail line as placement guide. If using fabric end cap, hang shingles 1" over vent at gable ends. Nails must penetrate 3/4" into sheathing or completely through the sheathing.



Step 4:

To splice, remove about 3" of nylon matrix from fabric and lay end of new roll inside remaining fabric to create fabric overlap.



**BENJAMIN
OBDYKE**

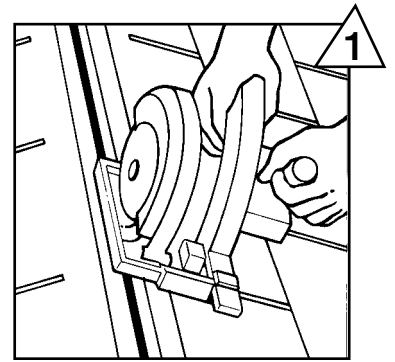
For additional information call:

800-346-7655

INSTALLATION FOR ROLL VENT METRIC

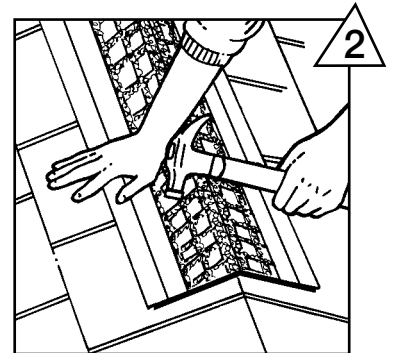
Step 1:

Snap chalk line and cut slot 3 1/2" (8.89 cm) wide (1 3/4" {4.4 cm} on each side of ridge beam). Allow for a closed area of sheathing 18" (46 cm) at both ends of the ridge.



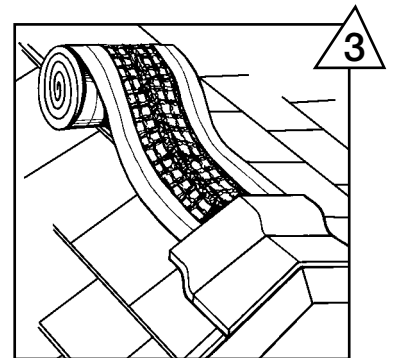
Step 2:

No end cap is necessary if ridge cap shingles are lapped over end of product and down onto ridge. In this case, run vent to 12" (30 cm) from the gable ends. Cap shingles can be laid down over end of vent onto ridge and out to gable ends. Optionally, Roll Vent can be installed right to gable ends using an integral end cap. To create end cap, loosen about 6" (15.24 cm) of matrix from fabric and cut out with snips. Fold bottom fabric in toward center of product so that it covers the end of vent. Start and end vent installation 1" (2.5 cm) from gable ends.



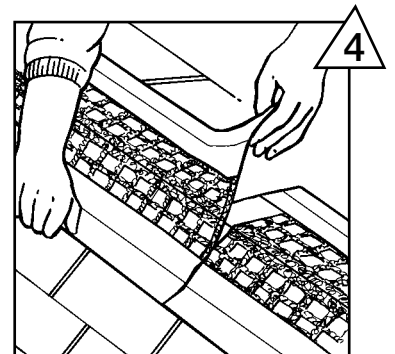
Step 3:

Center vent over slot at one end with nail lines "up" and fasten with two nails (note: minimum nail length is 2 1/2" {6.4 cm}). Roll out along entire ridge, pull out slack, and fasten with two nails at opposite end (creating end cap at other end if using that method). Center ridge cap shingles over vent and install with 2 1/2" (6.4 cm) nails provided. Use nail line as placement guide. If using fabric end cap, hang shingles 1" (2.5 cm) over vent at gable ends. Nails must penetrate 3/4" (1.9 cm) into sheathing or completely through the sheathing.



Step 4:

To splice, remove about 3" (7.62 cm) of nylon matrix from fabric and lay end of new roll inside remaining fabric to create fabric overlap.



**BENJAMIN
OBDYKE**

For additional information call:

800-346-7655