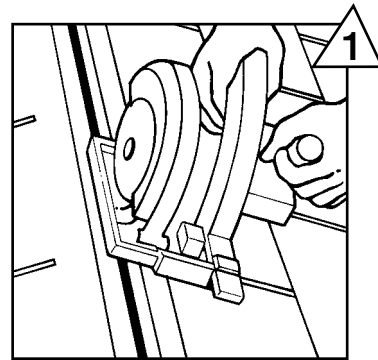


INSTALLATION FOR RAPID RIDGE

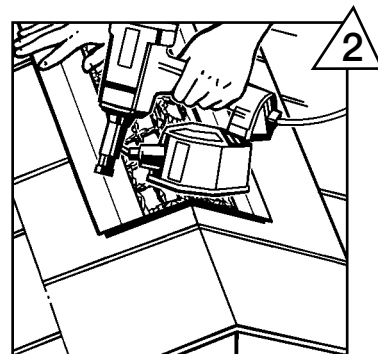
Step 1:

Snap chalk line and cut a slot 3" wide (1 1/2" on each side of ridge beam). Allow for a closed area of sheathing 18" at both ends of ridge.



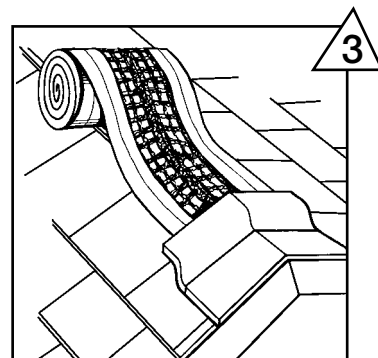
Step 2:

No end cap is necessary if ridge cap shingles are lapped over end of product and down onto ridge. In this case, run vent to 12" from gable ends. Cap shingles can be laid down over end of vent onto ridge out to gable ends. Optionally, Rapid Ridge can be installed right to gable ends using an integral end cap. To create end cap, loosen about 6" of matrix from fabric and cut out with snips. Fold bottom fabric in toward center of product so that it covers the end of vent. Start and end vent installation 1" from gable ends.



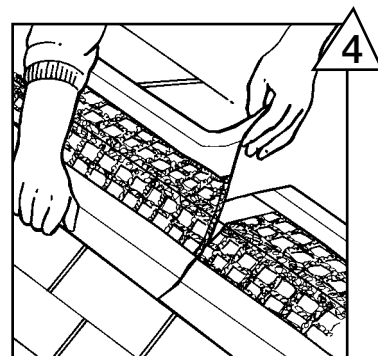
Step 3:

Center vent over slot at one end with nail lines "up" and fasten with two nails (note: minimum nail length is 1 3/4"). Recommended nail gun compressor pressure is between 90 and 100 psi. Roll out along entire ridge, pull out slack, and fasten with two nails at opposite end (creating end cap at other end if using that method). Center ridge cap shingles over vent and install with 1 3/4" collated nails provided. Use nail line as placement guide. If using fabric end cap, hang shingles 1" over vent at gable ends. Nails must penetrate into sheathing 3/4" or completely through the sheathing.



Step 4:

To splice, remove about 3" of nylon matrix from fabric and lay end of new roll inside remaining fabric to create fabric overlap.



**BENJAMIN
OBDYKE**

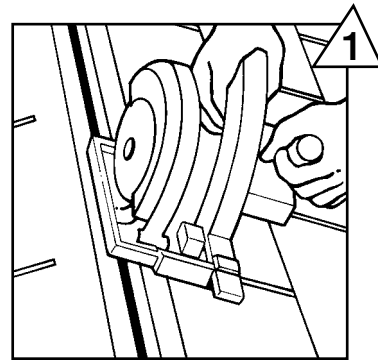
For additional information call:

800-346-7655

INSTALLATION FOR RAPID RIDGE METRIC

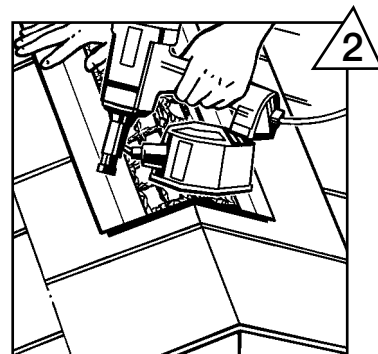
Step 1:

Snap chalk line and cut slot 3" (7.6 cm) wide (1 1/2" {3.8 cm} on each side of ridge beam). Allow for a closed area of sheathing 18" (46 cm) at both ends of the ridge.



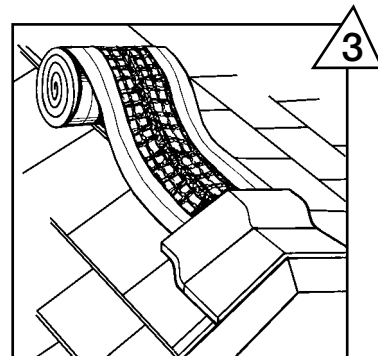
Step 2:

No end cap is necessary if ridge cap shingles are lapped over end of product and down onto ridge. In this case, run vent to 12" (30 cm) from the gable ends. Cap shingles can be laid down over end of vent onto ridge and out to gable ends. Optionally, Rapid Ridge can be installed right to gable ends using an integral end cap. To create end cap, loosen about 6" (15.24 cm) of matrix from fabric and cut out with snips. Fold bottom fabric in toward center of product so that it covers the end of vent. Start and end vent installation 1" (2.5 cm) from gable ends.



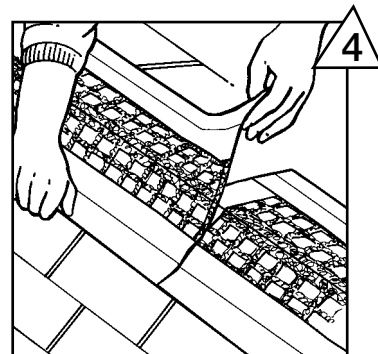
Step 3:

Center vent over slot at one end with nail lines "up" and fasten with two nails (note: minimum nail length is 1 3/4" {4.4 cm}). Recommended nail gun compressor pressure is between 90 and 100 psi. Roll out along entire ridge, pull out slack, and fasten with two nails at opposite end (creating end cap at other end if using that method). Center ridge cap shingles over vent and install with 1 3/4" (4.4 cm) collated nails provided. Use nail line as placement guide. If using fabric end cap, hang shingles 1" (2.5 cm) over vent at gable ends. Nails must penetrate into sheathing 3/4" (1.9 cm) or completely through the sheathing.



Step 4:

To splice, remove about 3" (7.62 cm) of nylon matrix from fabric and lay end of new roll inside remaining fabric to create fabric overlap.

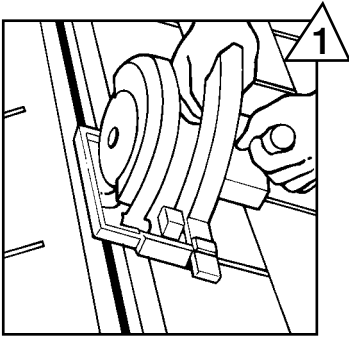


**BENJAMIN
OBDYKE**

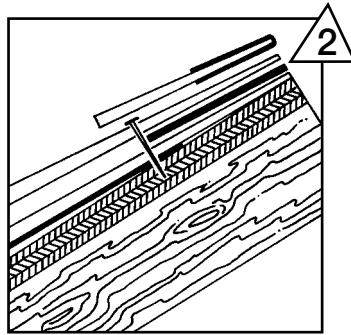
For additional information call:

800-346-7655

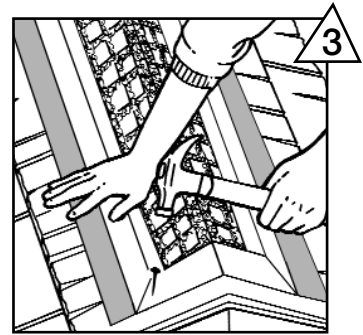
INSTALLATION FOR RAPID RIDGE 7



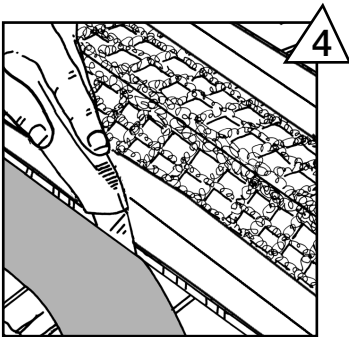
Step 1:
Snap chalk line and cut slot 2" wide (1" on each side). Allow for a closed area of sheathing 12" at both ends of the ridge.



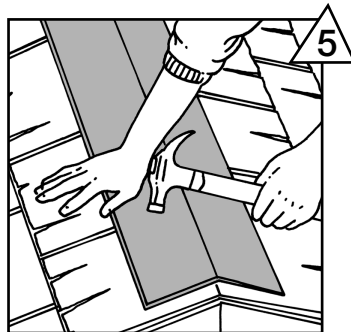
Step 2:
Fold 30 lb. felt back over last course of shingles/ shakes/ tiles exposing 2" slot. (When cutting last course of shingles/ shakes/ tiles, use caution to avoid cutting through felt.)



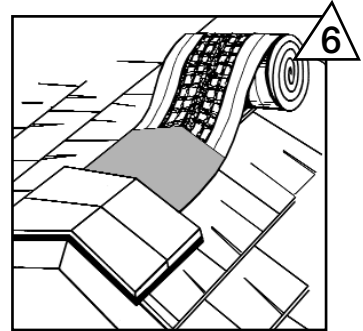
Step 3:
To create end cap, loosen about 6" of matrix from fabric and cut out with snips. Fold bottom fabric in toward center of product so that it covers the end of vent. Center vent over slot at one end with nail lines "up" and fasten with two nails. Roll out along entire ridge, pull out slack, and fasten with two nails at opposite end (creating end cap at other end). Start and end vent installation 1" from gable ends.



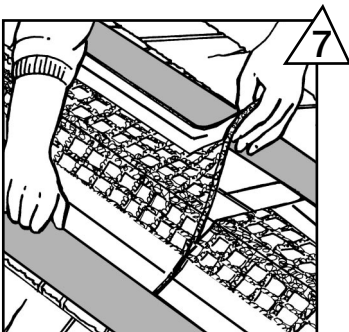
Step 4:
Cut exposed excess felt away on shingles/shakes/ tiles. In areas of severe weather or rough hand split shakes, lay a bead of caulk between felt and Rapid Ridge 1/4" in from edge for entire length of Rapid Ridge.



Step 5:
Install 30 lb felt 7" wide on top of entire length of Rapid Ridge (optional on asphalt shingles).



Step 6:
Center ridge cap shingles/ shakes/ tiles over vent and install with appropriate nails. Use nail length that penetrates into sheathing 3/4" or completely through the sheathing. Nail approximately 1 3/4" in from ridge cap edge on nailing rib indicated by nailing line. Hang shingles 1" over vent at gable ends.



Step 7:
To splice, remove about 3" of nylon matrix from fabric and lay end of new roll inside remaining fabric to create fabric overlap.

**BENJAMIN
OBDYKE**

For additional information call:
800-346-7655