



Home Slicker[®] Plus Typar[®] / Home Slicker[®] 10 Plus Typar[®] Application & Architectural Drawings

Installation Instructions Detail 0508.020B

Top Detail Detail 0508.015A

Bottom Detail Detail 0508.015B

Corner Detail Detail 0508.016B

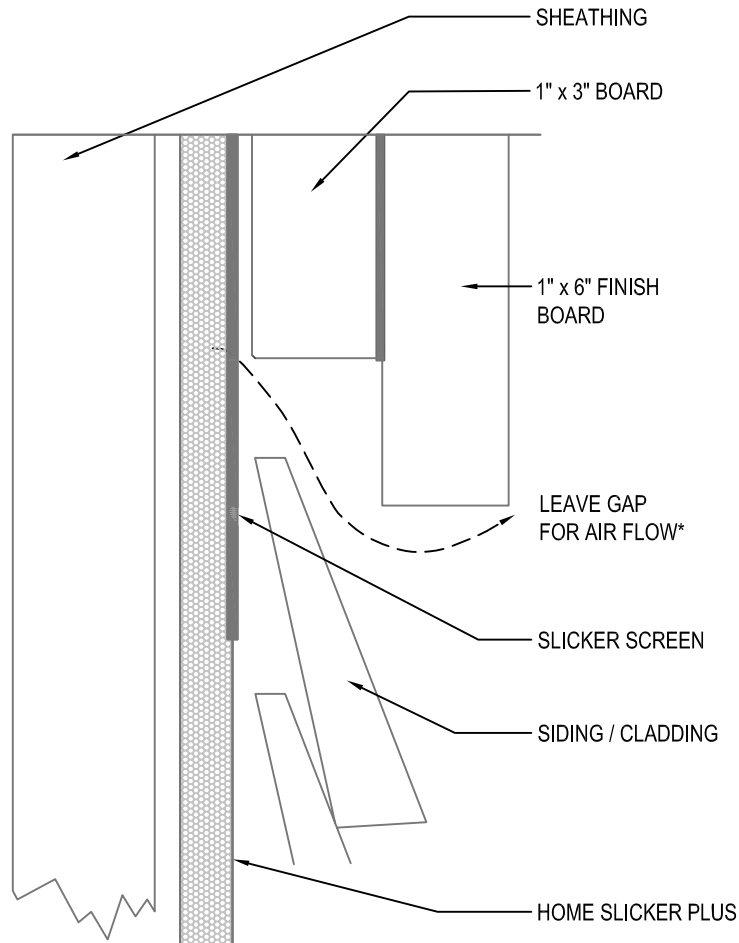
Window Details:

Flanged Window with WRB Installed After the Window Detail 0508.017B

Non-Flanged Window with WRB Installed After the Window Detail 0508.019C

Nail Selection Information Detail 0508.023A

BENJAMIN OBDYKE



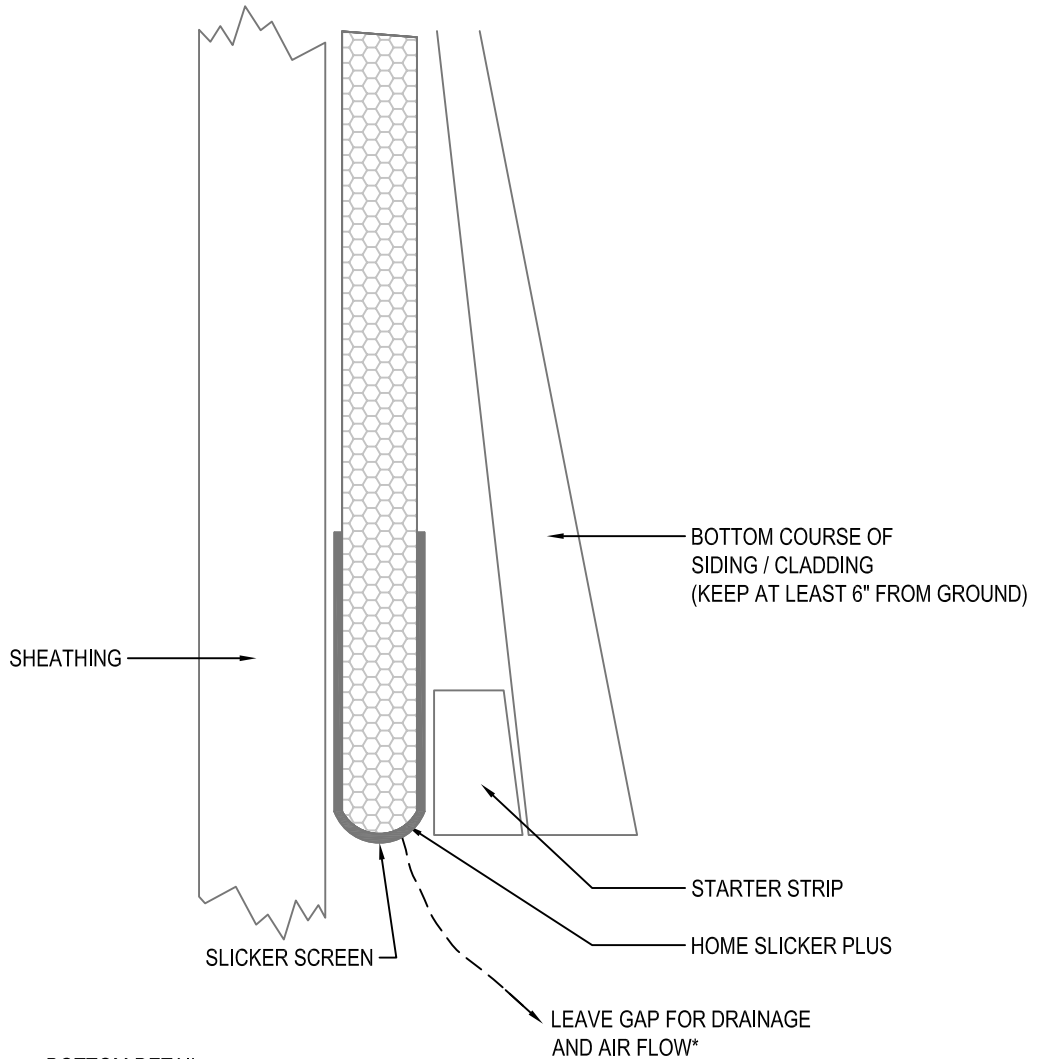
TOP DETAIL

RUN HOME SLICKER PLUS FLUSH WITH SOFFIT OVERHANG. ATTACH SLICKER SCREEN OR A 6"-WIDE WINDOW-SCREEN MATERIAL (1/8" MAX HOLE SIZE) OVER TOP 6" OF PRODUCT ACROSS SPAN OF WALL. INSTALL A 1" x 3" BOARD AT TOP OF WALL. INSTALL SIDING WITHIN 4" OF SOFFIT OVERHANG. INSTALL A 1" x 6" FINISH TRIM BOARD OR 6" PIECE OF SIDING OVER THE 1" x 3" BOARD. THIS WILL ALLOW FOR AIR MOVEMENT, WHICH WILL PROVIDE CONVECTIVE DRYING AND VENTILATION BEHIND THE CLADDING.

*NOTE: LEAVE A 1/4" GAP AT TOP OPENING FOR HOME SLICKER PLUS TYPAR OR A 10mm GAP AT TOP OPENING FOR HOME SLICKER 10 PLUS TYPAR.

TOP DETAIL	HOME SLICKER [®] PLUS TYPAR [®] AND HOME SLICKER [®] 10 PLUS TYPAR [®]			NTS	DETAIL HSPT - HS10PT 0508.015A
	BENJAMIN OBDYKE INCORPORATED 400 BABYLON ROAD, SUITE A HORSHAM, PA 19044 - 1213	TOLL FREE: 1-800-523-5261 PHONE: (215) 672-7200 FAX: (215) 672-5204	www.benjaminobdyke.com www.homeslicker.com	MAY 2008	

BENJAMIN OBDYKE



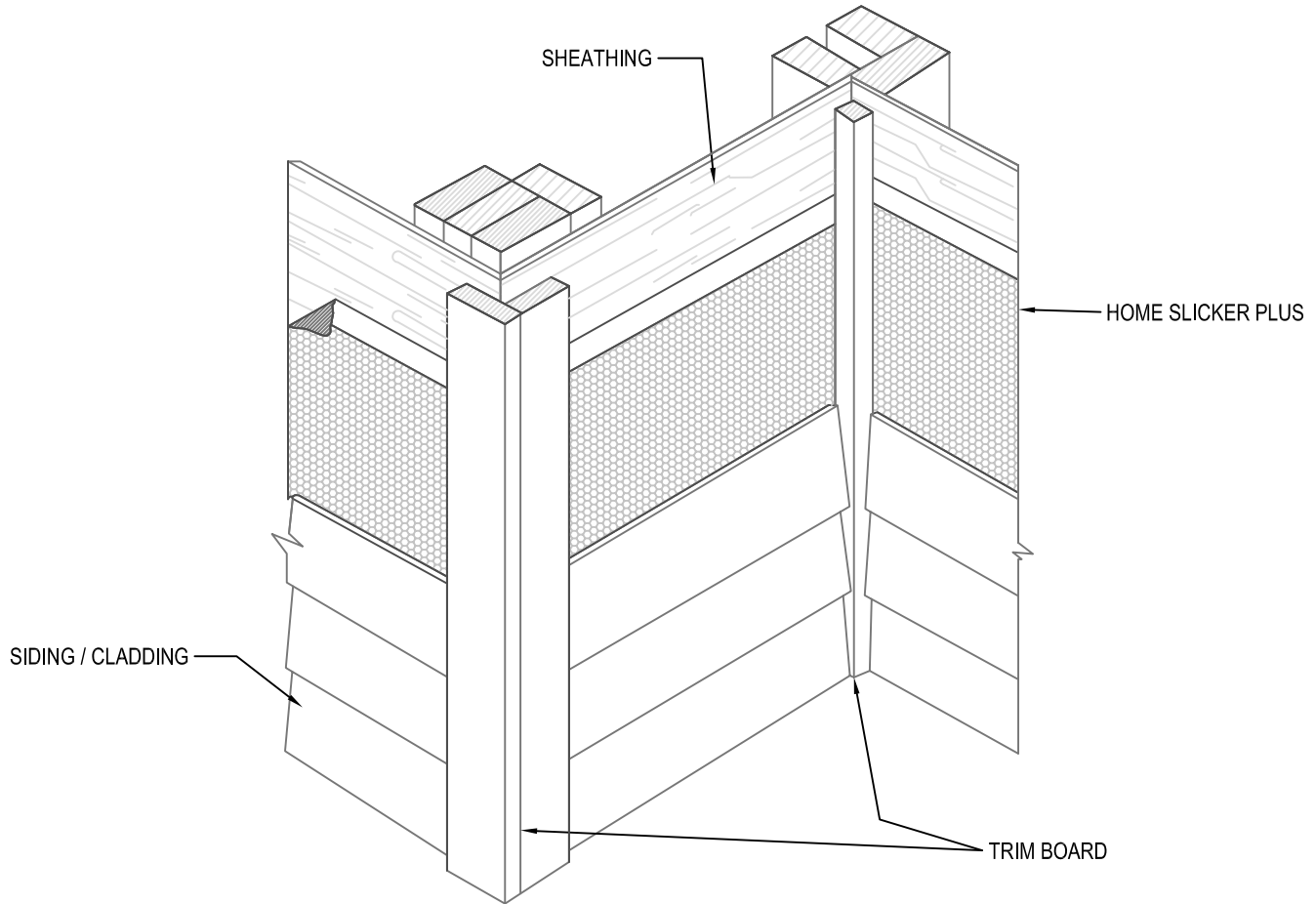
BOTTOM DETAIL

TO PREVENT INSECT INFILTRATION ALONG BOTTOM EDGE OF SIDING, ATTACH SLICKER SCREEN™ OR A 6"-WIDE WINDOW-SCREEN MATERIAL (1/8" MAX. HOLE SIZE) ALONG THE WALL 3" ABOVE BOTTOM EDGE OF HOME SLICKER PLUS. FOLD UP ONTO OUTER SURFACE OF INSTALLED HOME SLICKER PLUS AND FASTEN WITH A LARGE HEAD NAIL TO HOLD IN PLACE PRIOR TO APPLYING SIDING OR CLADDING.

*NOTE: LEAVE A 1/4" GAP AT BOTTOM OPENING FOR HOME SLICKER PLUS TYPAR OR A 10mm GAP AT BOTTOM OPENING FOR HOME SLICKER 10 PLUS TYPAR.

BOTTOM DETAIL	HOME SLICKER® PLUS TYPAR® AND HOME SLICKER® 10 PLUS TYPAR®			NTS	DETAIL HSPT - HS10PT 0508.015B
	BENJAMIN OBDYKE INCORPORATED 400 BABYLON ROAD, SUITE A HORSHAM, PA 19044 - 1213	TOLL FREE: 1-800-523-5261 PHONE: (215) 672-7200 FAX: (215) 672-5204	www.benjaminobdyke.com www.homeslicker.com	MAY 2008	

BENJAMIN OBDYKE



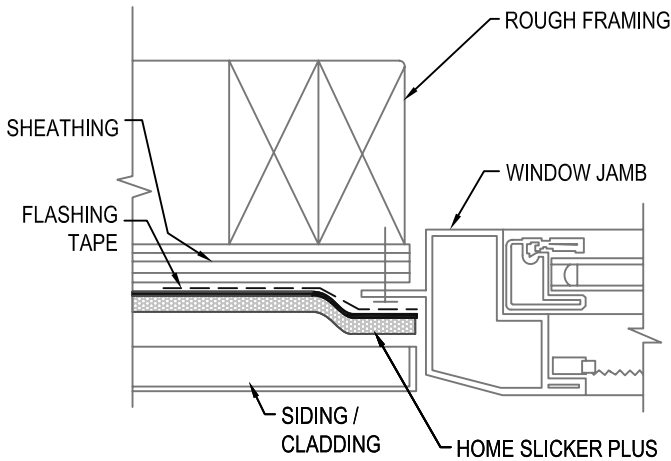
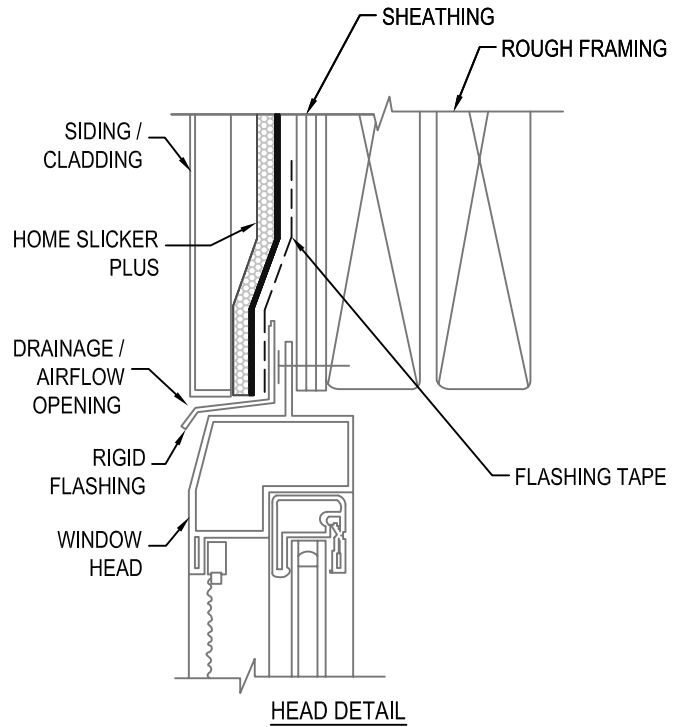
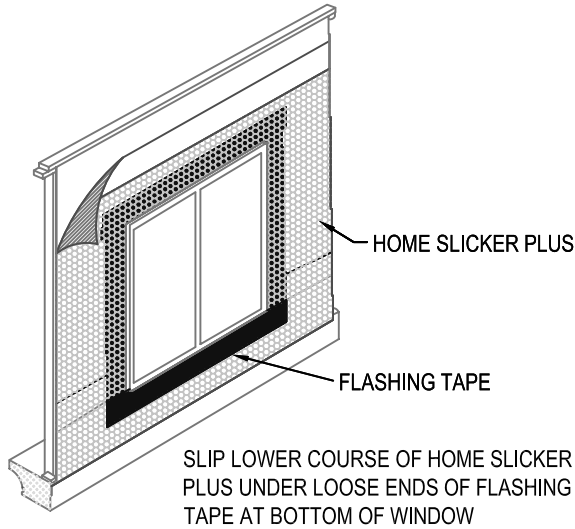
CORNER DETAIL

INSTALL HOME SLICKER PLUS TO THE END OF EACH WALL SECTION. APPLY TRIM BOARDS OVER HOME SLICKER PLUS TO OUTSIDE AND INSIDE CORNERS. THIS GIVES THE ADDED BEFEFIT OF PROVIDING VENTILATION AND DRAINAGE BEHIND CORNER BOARDS TO HELP PRESERVE THEIR SERVICE LIFE.

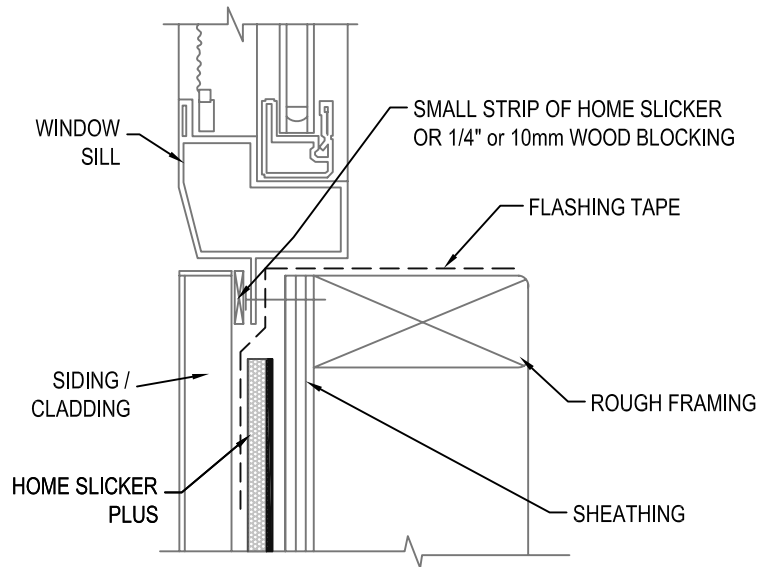
CORNER DETAIL	HOME SLICKER® PLUS TYPAR® AND HOME SLICKER® 10 PLUS TYPAR®		NTS	DETAIL HSPT - HS10PT 0508.016B
	BENJAMIN OBDYKE INCORPORATED 400 BABYLON ROAD, SUITE A HORSHAM, PA 19044 - 1213	TOLL FREE: 1-800-523-5261 PHONE: (215) 672-7200 FAX: (215) 672-5204	www.benjaminobdyke.com www.homeslicker.com	MAY 2008

BENJAMIN OBDYKE

INSTALL WITH HIGHER COURSE
OVERLAPPING WRB OF LOWER COURSE



JAMB DETAIL



SILL DETAIL

FLANGED
WINDOW WRB
INSTALLED
AFTER WINDOW

HOME SLICKER® PLUS TYPAR® AND HOME SLICKER®10 PLUS TYPAR®

NTS

DETAIL
HSPT - HS10PT
0508.017B

BENJAMIN OBDYKE INCORPORATED
400 BABYLON ROAD, SUITE A
HORSHAM, PA 19044 - 1213

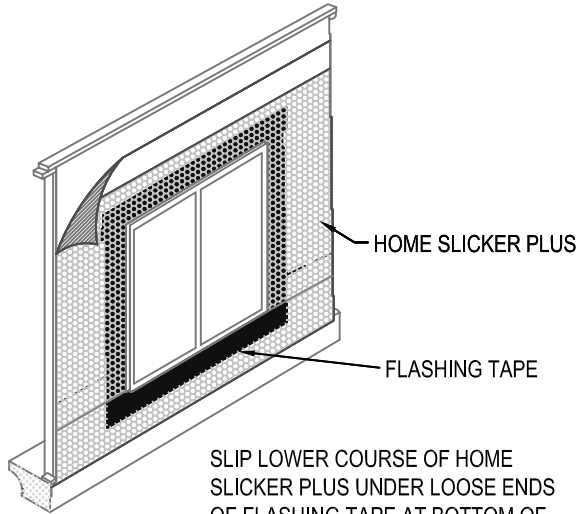
TOLL FREE: 1-800-523-5261
PHONE: (215) 672-7200
FAX: (215) 672-5204

www.benjaminobdyke.com
www.homeslicker.com

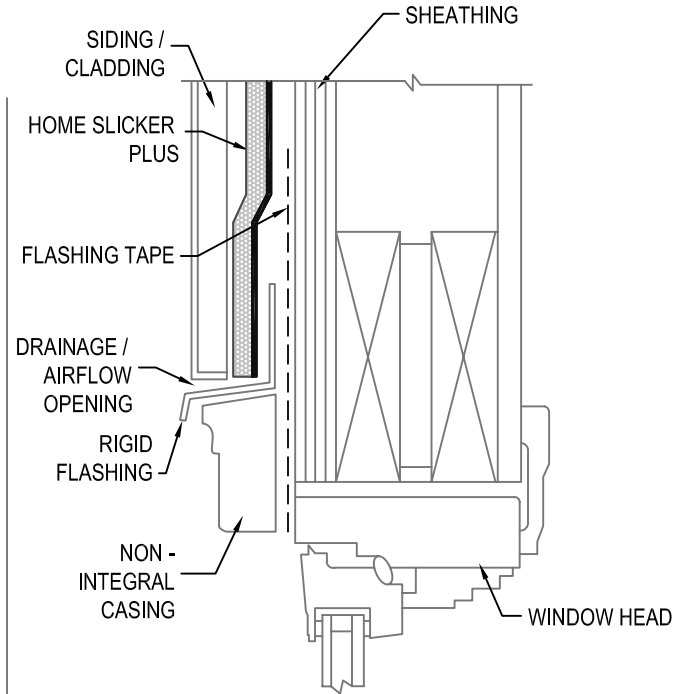
MAY 2008

BENJAMIN OBDYKE

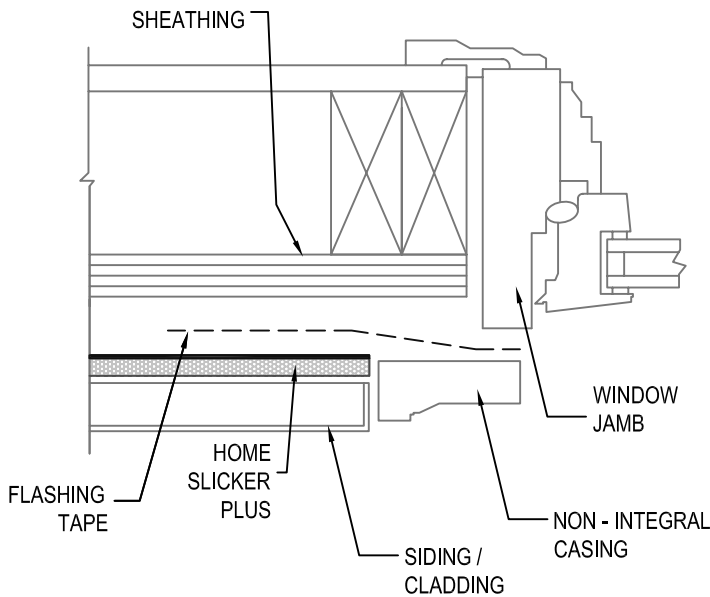
INSTALL WITH HIGHER COURSE
OVERLAPPING WRB OF LOWER COURSE



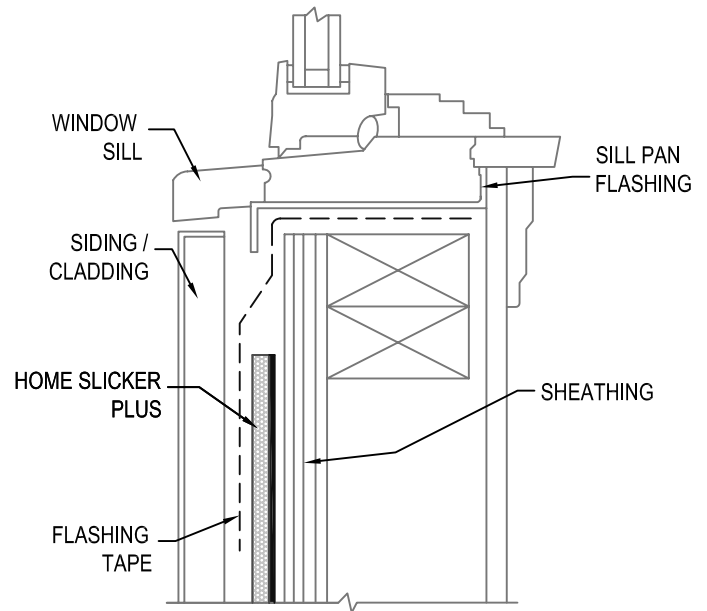
SLIP LOWER COURSE OF HOME
SLICKER PLUS UNDER LOOSE ENDS
OF FLASHING TAPE AT BOTTOM OF
WINDOW



HEAD DETAIL



JAMB DETAIL



SILL DETAIL

NON-FLANGED
WINDOW WRB
INSTALLED
AFTER WINDOW

HOME SLICKER® PLUS TYPAR® AND HOME SLICKER® 10 PLUS TYPAR®

BENJAMIN OBDYKE INCORPORATED
400 BABYLON ROAD, SUITE A
HORSHAM, PA 19044 - 1213

TOLL FREE: 1-800-523-5261
PHONE: (215) 672-7200
FAX: (215) 672-5204

www.benjaminobdyke.com
www.homeslicker.com

NTS

MAY 2008

DETAIL
HSPT - HS10PT
0508.019C

BENJAMIN OBDYKE

NAIL SELECTION INFORMATION

WOOD SIDING

All nails are required to meet the following conditions:

- Siding or box nail
- Blunt-tipped to reduce splitting
- Ring or spiral-threaded shanks to provide increased holding power
- Stainless steel, hot-dipped galvanized, or aluminum for corrosion resistance

Note: To prevent bleeding and corrosive staining, use only stainless steel nails in the following situations: no stain on siding, clear or semi-transparent stain on siding, or an application that is subject to seacoast exposure.

- Minimum 1 1/4" penetration into studs

Pneumatic nail guns can be used if collated nails meet prior recommendations and the air pressure and depth gauge is set so that nail is driven snug with the surface.

(DO NOT OVERDRIVE NAILS)

For further information, consult the Western Red Cedar Lumber Association (WRCLA) or the Western Wood Products Association (WWPA).

WOOD SHINGLES / SHAKES

All nails are required to meet the following conditions:

- Siding or box nail
- Blunt-tipped to reduce splitting
- Ring or spiral-threaded shanks to provide increased holding power
- Hot-dipped, zinc-coated, stainless steel, or aluminum for corrosion resistance.

Note: To prevent bleeding and corrosive staining, use only stainless steel nails in the following situations: no stain on shingles / shakes, clear or semi-transparent stain on shingles / shakes, or an application that is subject to seacoast exposure.

- Penetrate into sheathing 1/2" to 3/4"

Pneumatic nail guns can be used if collated nails meet prior recommendations and the air pressure and depth gauge is set so that nail is driven snug with the surface.

(DO NOT OVERDRIVE NAILS)

For further information, consult the Cedar Shake and Shingle Bureau (CSSB).

FIBER-CEMENT PLANK & PANEL

All nails are required to meet the following conditions:

- Siding or roofing nail
- Hot-dipped galvanized or stainless steel for corrosion resistance
- Minimum 1 1/4" penetration into studs

Note: The use of a siding or roofing nail may not be applicable to all installations where greater windloads or wind resistance is required by the local building code. Defer to the applicable Building Code Compliance Report or fiber-cement siding manufacturer for more information.

Pneumatic nail guns can be used if collated nails meet prior recommendations and the air pressure and depth gauge is set so that nail is driven snug with the surface.

(DO NOT OVERDRIVE NAILS)

NAIL SELECTION INFORMATION	HOME SLICKER [®] PRODUCTS			NTS	DETAIL HS 0508.023A
	BENJAMIN OBDYKE INCORPORATED 400 BABYLON ROAD, SUITE A HORSHAM, PA 19044 - 1213	TOLL FREE: 1-800-523-5261 PHONE: (215) 672-7200 FAX: (215) 672-5204	www.benjaminobdyke.com www.homeslicker.com	MAY 2008	